

BIRD INDEXER

Model No. CPI-001



The Cantrell Model CPI-001 will quickly and cleanly sever the back skin of the bird that has been halved by the halving machine. The positive position and the infeed of both the front and back half guarantee the shackle will not drag back or cause a missed cut. Proper timing of the product to the machine is assured by the direct driven overhead conveyor. Additionally, the Indexer can be set to distribute birds at different drop stations on the same halving line. Manufactured of stainless steel and polymer, the CPI-001 requires little maintenance except for the occasional greasing of bearings and blade sharpening.

Cantrell Machine Co., Inc.

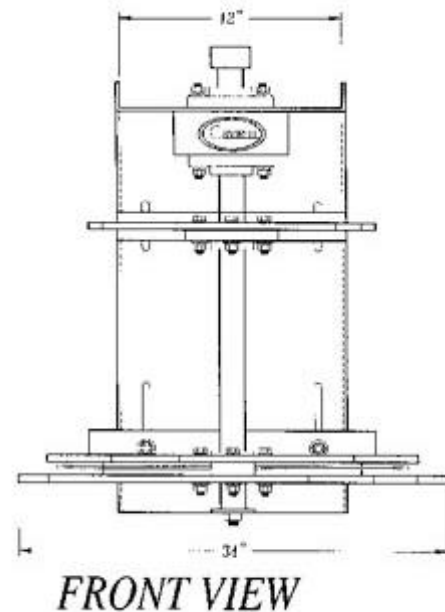
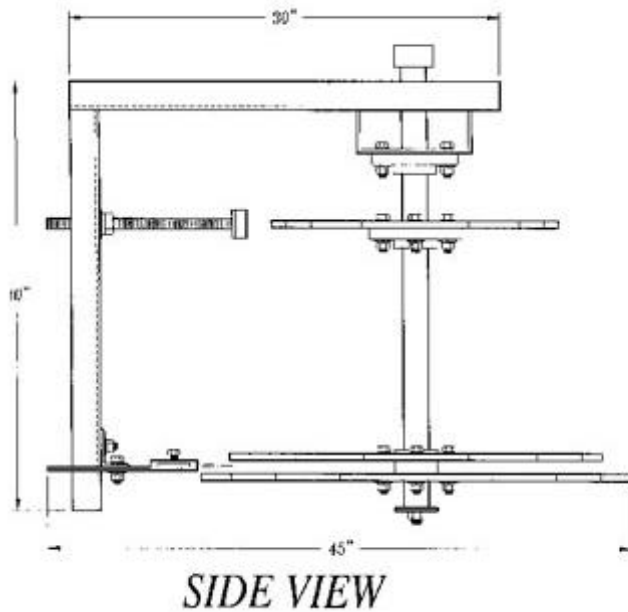
P O Box 757
1400 S. Bradford Street
Gainesville, Ga. 30503

Phone: 770-536-3611
Fax: 770-531-0832
www.cantrell.com



BIRD INDEXER

Model No. CPI-001



Power:	Driven by overhead
Capacity:	9,000 BPH
Position in Line:	After bird halver
Rotation:	Determined by facing back of bird
Height:	30"
Length:	Max. 45"
Height:	Max. 34"

The specifications as stated herein are the most current at the time of publication. However, consistent with our standard of continual product improvement, we reserve the right to change the design without notice or obligation to modify any equipment previously sold or delivered.

Cantrell Machine Co., Inc.

P O Box 757 · 1400 S. Bradford Street · Gainesville, Ga. 30503 · 770-536-3611 · 770-531-0832