

CANTRELL

Parts | Equipment | Systems | Solutions

▶ Foot Cutter Model No. CFC-150

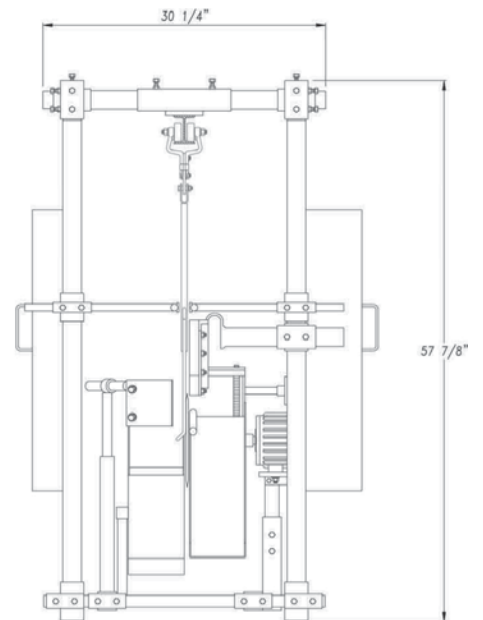
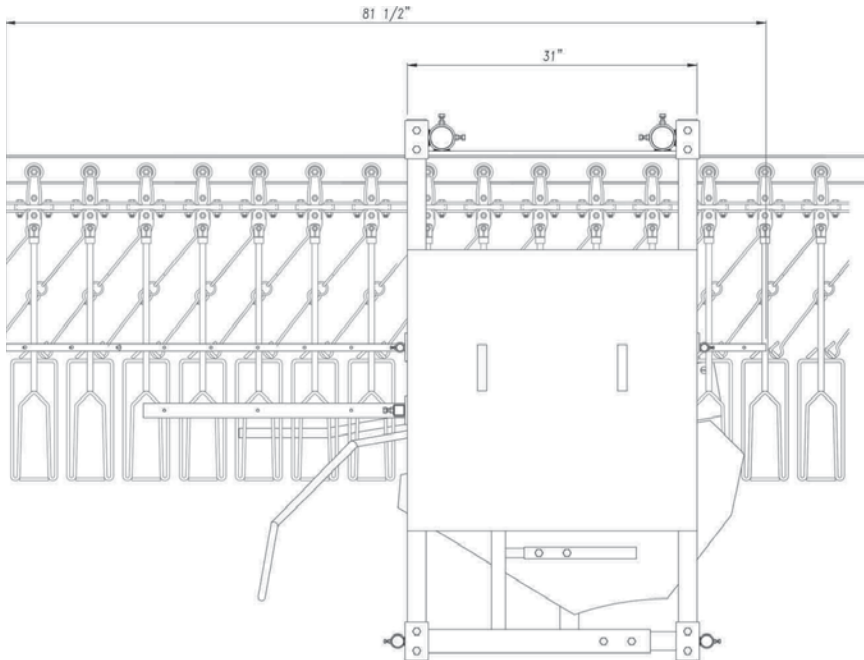


▶ The Cantrell Foot Cutter is an in line machine that mounts directly to the overhead track. The CFC-150 requires electrical power for just one 2hp motor. The CFC-150 is a compact unit designed for easy installation and upkeep.

CANTRELL

Parts | Equipment | Systems | Solutions

Foot Cutter Model No. CFC-150



The specifications as stated herein are the most current at the time of publication. However, consistent with our standard of continual product improvement, we reserve the right to change the design without notice or obligation to modify any equipment previously sold or delivered.