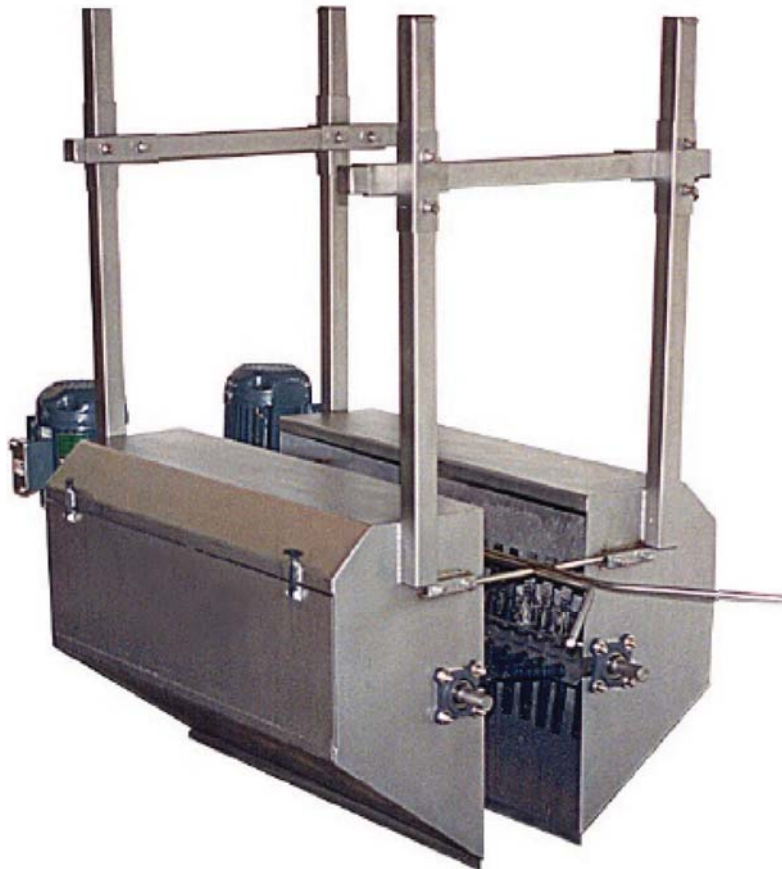


# CANTRELL

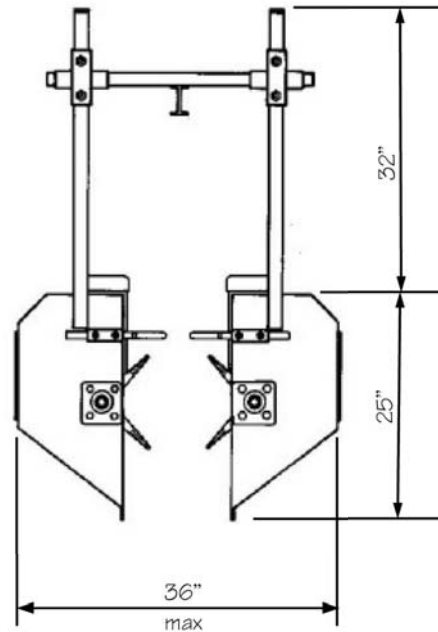
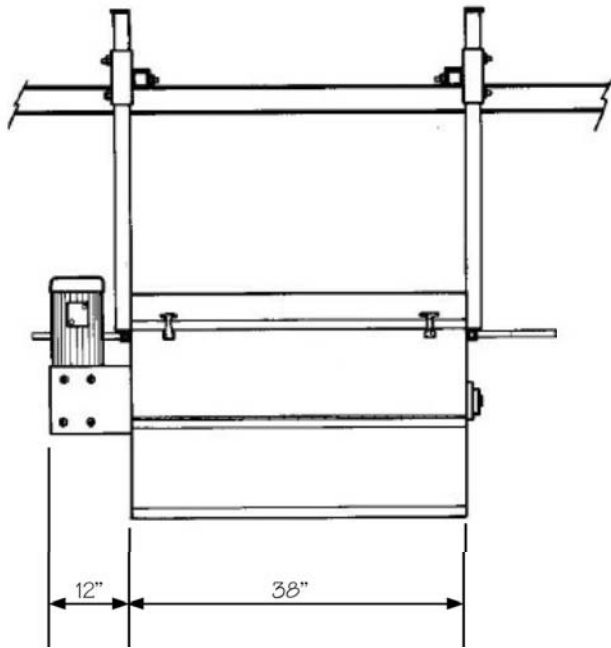
Parts | Equipment | Systems | Solutions

## ▶ Foot Unloader Model No. CFU-100



▶ The Cantrell Automatic Foot Unloader is a consistent and reliable means of unloading feet from the shackles on the picking line. As shackles pass through the Foot Unloader, feet are lifted up out of the shackles by way of two rotating reels containing 64 rubber picking fingers each. Maintenance is kept to a minimum due to a smooth stainless steel design and minimal moving parts.

## Foot Unloader Model No. CFU-100



### TECHNICAL SPECIFICATIONS

Position In Line:	End of picking line
Installed Power:	2 x 1 HP / .75 kw
Fingers Per Reel:	64
Net Weight:	670 lbs. / 304 kg
Gross Weight:	860 lbs. / 390 kg
Width:	36 in. / 914 mm
Length:	50 in. / 1,270 mm
Height:	57 in. / 1,448 mm

The specifications as stated herein are the most current at the time of publication. However, consistent with our standard of continual product improvement, we reserve the right to change the design without notice or obligation to modify any equipment previously sold or delivered.