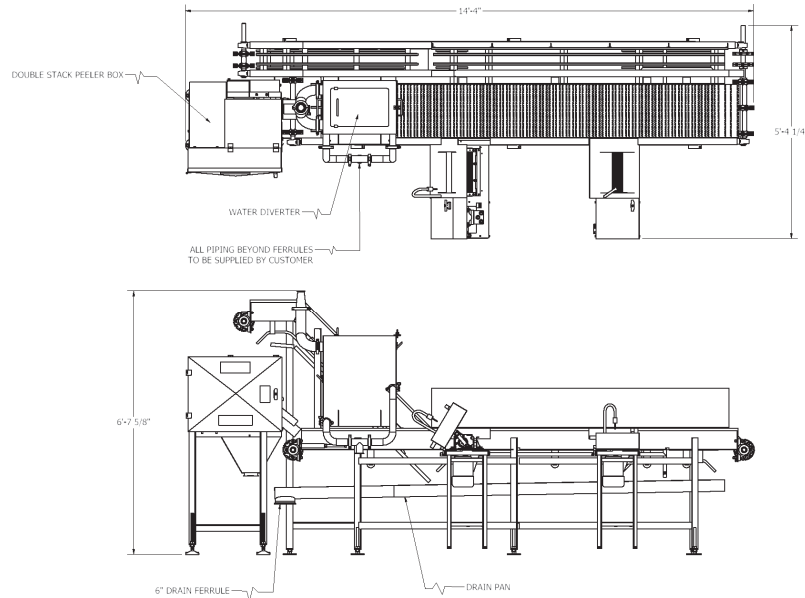


▶ Gizzard Inspection System Model No. GIS-2000



▶ The Cantrell GIS-2000 Gizzard Inspection System was designed with superior operation, low maintenance and optimum yield in mind. Requiring only two operators to handle a capacity of 360-plus gizzards per minute, the GIS-2000 will reduce the amount of man power needed for standard inspection stations. Utilization of the Cantrell DSP-100 Double Stack Peeler Station in conjunction with Cantrell's Rework Conveyor allows for higher capacity for each peeler rework station operator. The Gizzard Inspection System incorporates a water separation system that vastly reduces the amount of transport water remaining on the inspection belt. Each Peeler Station is equipped with a removable hinged cover, and the stations themselves can now be removed when needed.

➤ Gizzard Inspection System Model No. GIS-2000



TECHNICAL SPECIFICATIONS

Power:	2 HP (1X), 1HP (2X), 3/4HP (2X)
Capacity:	360-Plus Gizzards Per Minute
Water Connections:	1/2 NPT and 1/4 NPT
Width:	Approx. 65 in. / 1651 mm
Length:	Approx. 14 ft. 4 in. / 4420 mm
Height:	Approx. 80 in. / 2032 mm

The specifications as stated herein are the most current at the time of publication. However, consistent with our standard of continual product improvement, we reserve the right to change the design without notice or obligation to modify any equipment previously sold or delivered.