

GIBLET ELEVATOR

Model No. GE-200



Photo represents one of many styles available

The Cantrell Giblet Elevator transports gizzards to a working level for final gizzard inspection. The elevator is constructed of stainless steel and can be built to customer specifications on height and length to fit any plant layout. A variety of belts are available including Intralox cleat, scoop, flat and food-grade.

Cantrell Machine Co., Inc.

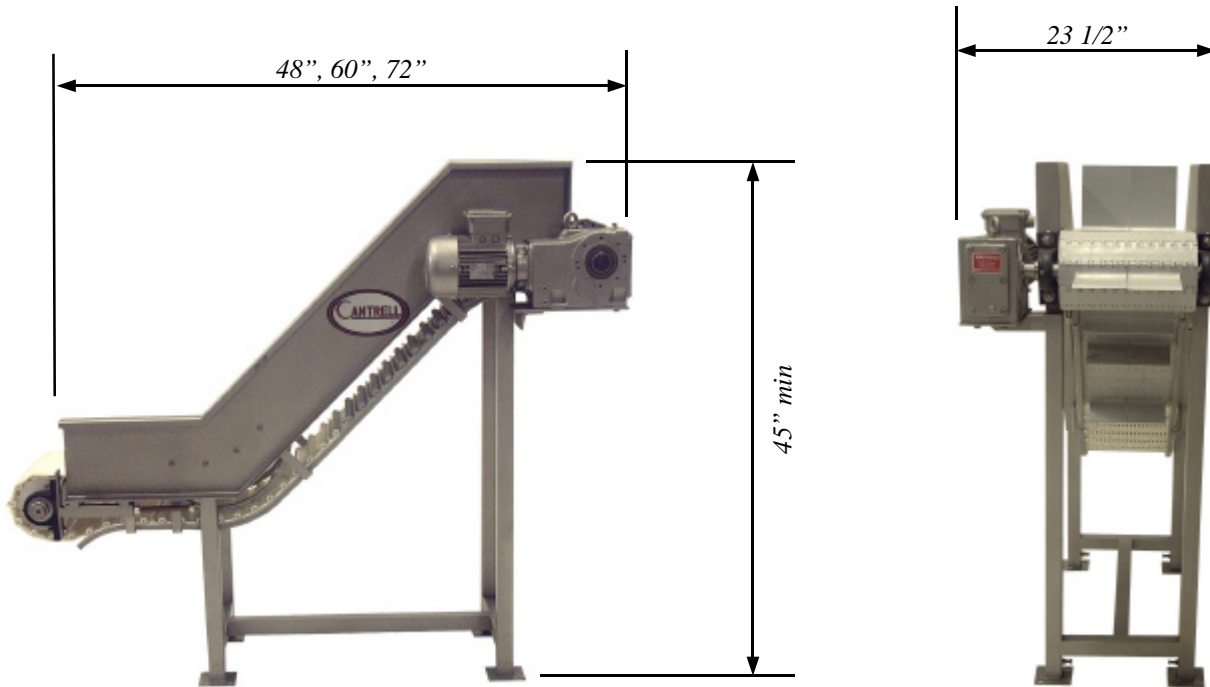
P O Box 757
1400 S. Bradford Street
Gainesville, Ga. 30503

Phone: 770-536-3611
Fax: 770-531-0832
www.cantrell.com



GIBLET ELEVATOR

Model No. GE-200



TECHNICAL SPECIFICATIONS

| | |
|--------------------------|-------------------------------------|
| Position In Line: | After gizzard harvester or defatter |
| Installed Power: | 1 HP Motor |
| Net Weight: | 235 lbs. |
| Gross Weight: | 515 lbs. |
| Width: | 23 1/2" |
| Length: | (Optional) 48", 60", 72" |
| Height: | (Optional) 45" min |

The specifications as stated herein are the most current at the time of publication. However, consistent with our standard of continual product improvement, we reserve the right to change the design without notice or obligation to modify any equipment previously sold or delivered.

Cantrell Machine Co., Inc.

P O Box 757 1400 S. Bradford Street

Gainesville, Ga. 30503

770-536-3611

770-531-0832