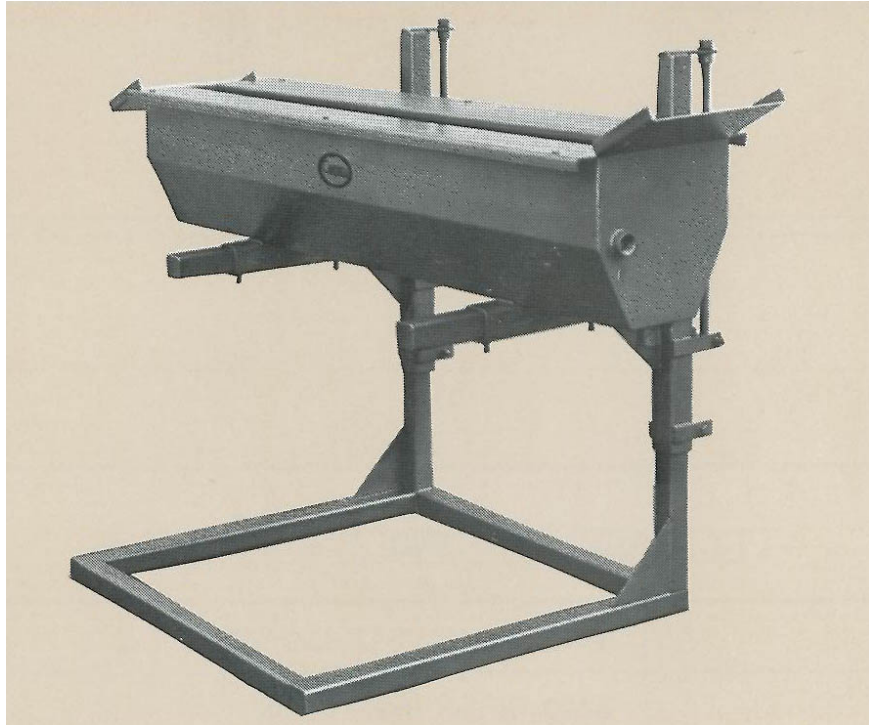


HEAD SCALDER

Model No. HS-1



The Cantrell Head Scalding Machine, Model HS-1 efficiently improves the cleaning of the neck and head area by reheating, therefore allowing the picking machines to pick in those hard to pick areas. The simple design of all stainless steel construction, allows for easy clean-up and eliminates rust problems. The Head Scalding Machine is easily accessible for maintenance and can be adjusted vertically and horizontally to allow easy access to problem areas. Complete with a set of temperature and regulating controls.

Cantrell Machine Co., Inc.

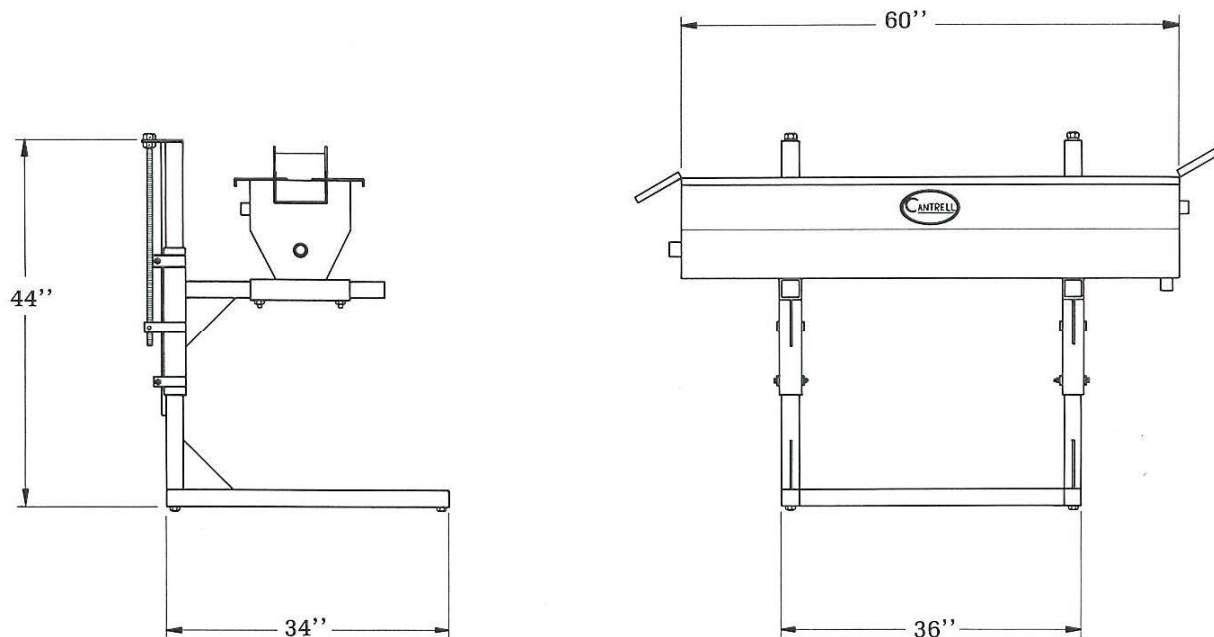
P O Box 757
1400 S. Bradford Street
Gainesville, Ga. 30503

Phone: 770-536-3611
Fax: 770-531-0832
www.cantrell.com



HEAD SCALDER

Model No. HS-1



TECHNICAL SPECIFICATIONS

CONNECTION:	1 1/4" or 1 1/2" STEAMLINER
CAPACITY:	8400 BIRDS PER HOUR
HEIGHT:	44 in. / 1118 mm
WIDTH:	34 in. / 864 mm
LENGTH:	60 in. / 1524 mm
NET WEIGHT:	175 lbs. / 75 kg.
GROSS WEIGHT:	310 lbs. / 141 kg.
CREATED VOLUME:	72 FT ³

The specifications as stated herein are the most current at the time of publication. However, consistent with our standard of continual product improvement, we reserve the right to change the design without notice or obligation to modify any equipment previously sold or delivered.

Cantrell Machine Co., Inc.

P O Box 757 · 1400 S. Bradford Street · Gainesville, Ga. 30503 · 770-536-3611 · (Fax) 770-531-0832