

NECK SKINNER

Model No. NS-1001



The Cantrell Automatic Neck Skinner, Model NS-1001, is designed to completely remove the skin from the neck without damaging the final product. The NS-1001 processes 100 necks per minute with a special unloading device that guarantees trouble free discharge. Removable covers allow easy access to the skinning mechanism for cleaning.

Cantrell Machine Co., Inc.

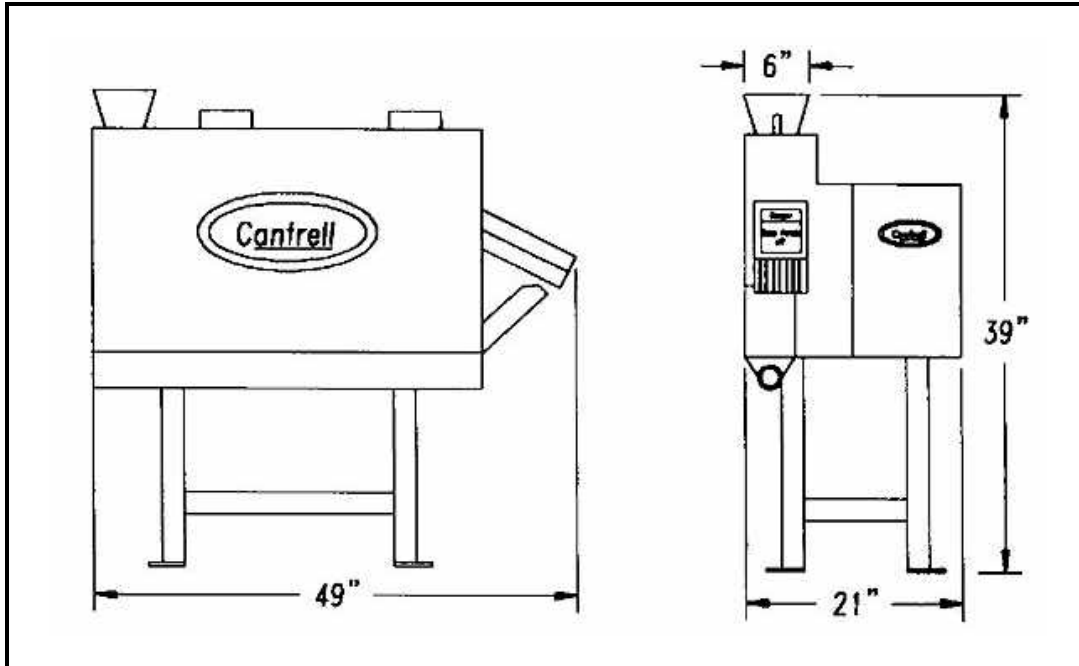
P O Box 757
1400 S. Bradford Street
Gainesville, Ga. 30503

Phone: 770-536-3611
Fax: 770-531-0832
www.cantrell.com



NECK SKINNER

Model No. NS-1001



TECHNICAL SPECIFICATIONS

Position:	Directly under the Neck Skin Cutter
Capacity:	100 Necks Per Minute
Installed Power:	2 HP / 1.5 K.W.
Water Connection:	1/4" NPT
Height:	39" / 990 MM
Length:	49" / 1244 MM
Width:	21" / 533 MM

The specifications as stated herein are the most current at the time of publication. However, consistent with our standard of continual product improvement, we reserve the right to change the design without notice or obligation to modify any equipment previously sold or delivered.

Cantrell Machine Co., Inc.

P O Box 757 1400 S. Bradford Street Gainesville, Ga. 30503 770-536-3611 770-531-0832