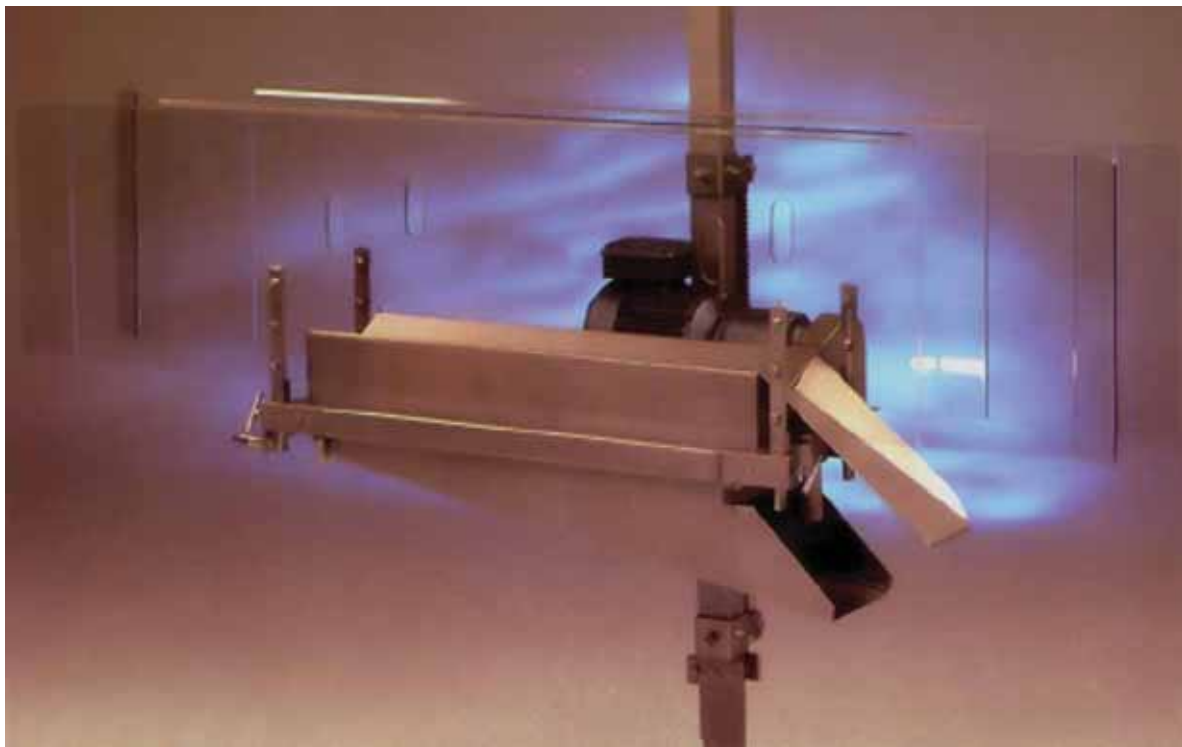
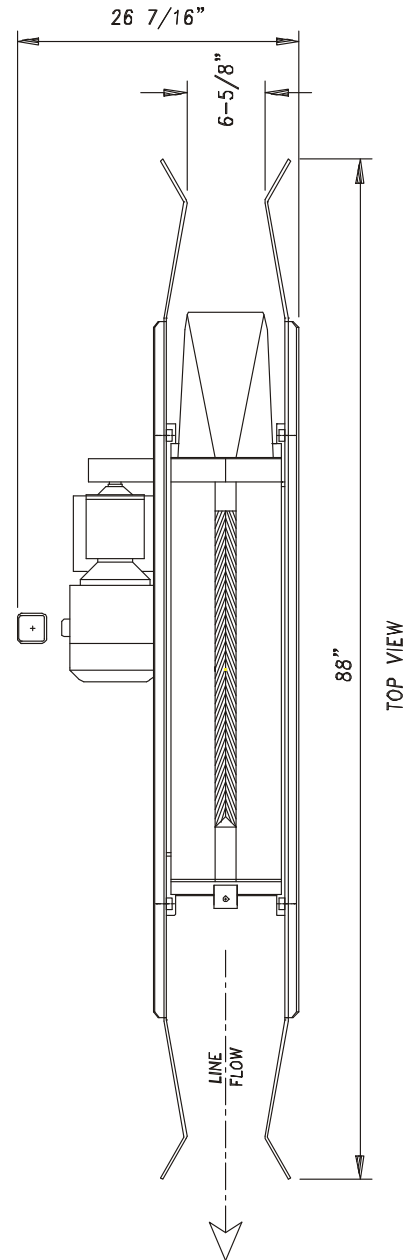
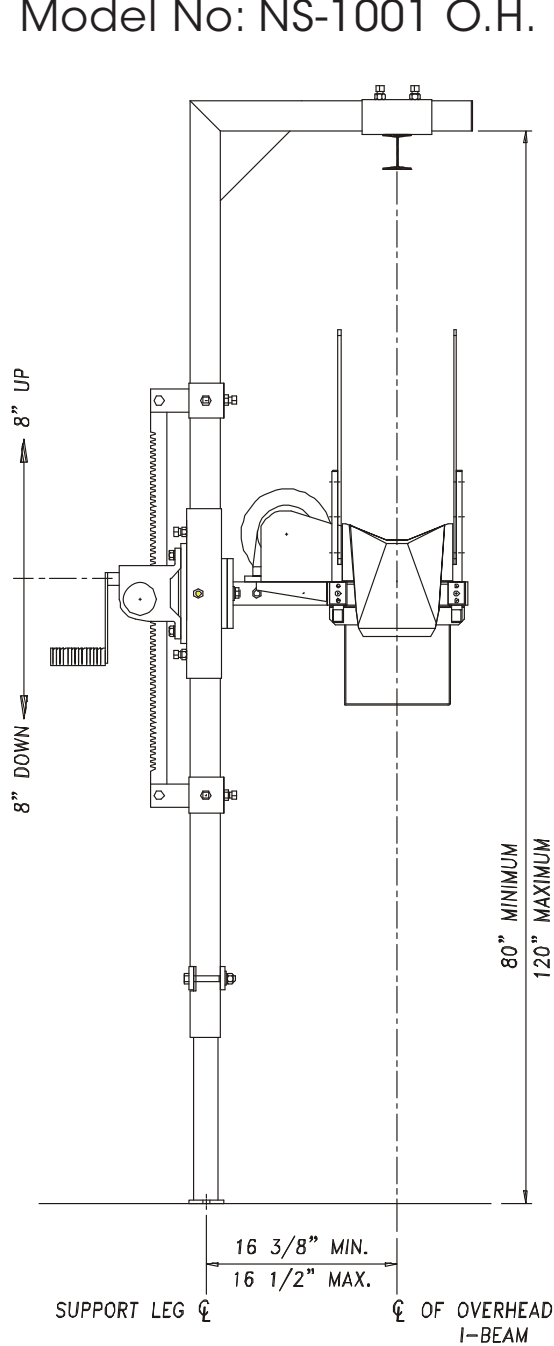


▶ Overhead Neck Skinner Model No: NS-1001 O.H.



▶ The Cantrell Overhead Neck Skinner uses peeler rollers to remove the skin from poultry necks as they exit the Inside/Outside Bird Washer. This 2 HP, chain driven machine features two 1/4" valves to provide independent water pressure to the peeler rollers and skin trough wash. Two proximity switches provide instant shut-off should an attempt be made to remove either of the lexan safety shields. Unique built-in pivoting clamps allow the peeler roller safety guard to be removed in seconds for wash-down without tools or fasteners. The unit is available in both right-hand and left-hand models, is height adjustable to meet varying line requirements and is constructed of quality stainless steel.

Overhead Neck Skinner Model No: NS-1001 O.H.



The specifications as stated herein are the most current at the time of publication. However, consistent with our standard of continual product improvement, we reserve the right to change the design without notice or obligation to modify any equipment previously sold or delivered.