

▶ Shackle Washer Model No. CSW-4

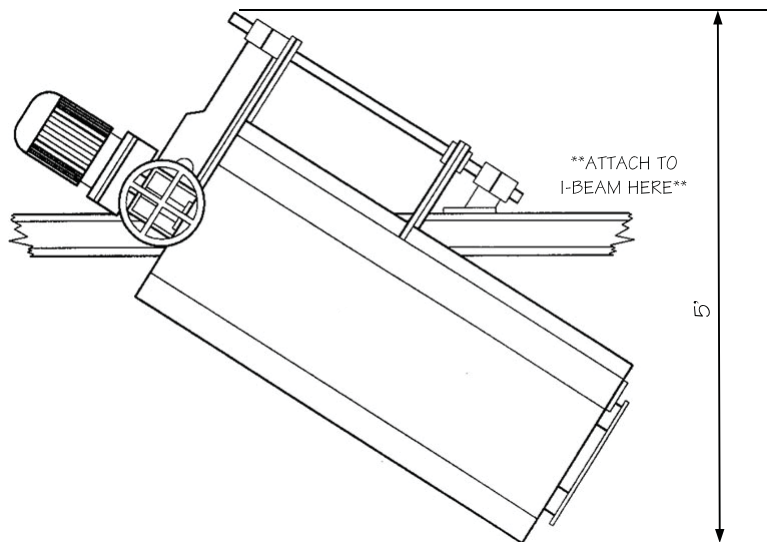
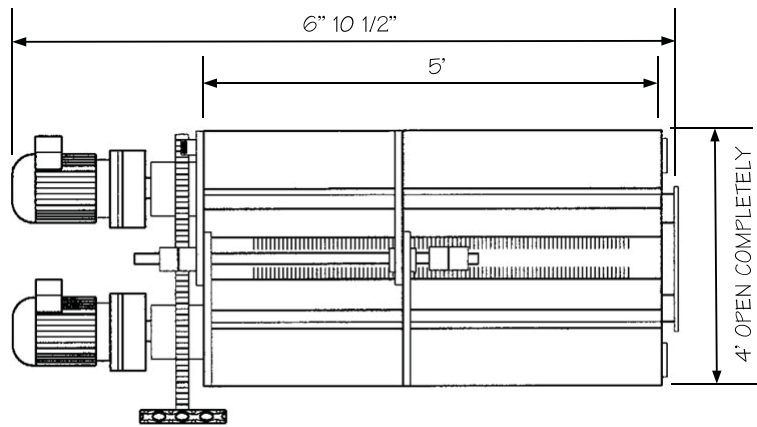


▶ The Cantrell Shackle Washer is designed to automatically clean and sanitize the conveyor shackles, hangers and ties without manual labor. Adjustments can be made to clean the chain and trolleys as well. The two motor-driven nylon brushes and inside water jets carefully clean all surfaces that pass between the brushes. The Shackle Washer is USDA approved and can be supplied with either a detergent or sanitary disinfectant in addition to a portable water rinse hook-up.

CANTRELL

Parts | Equipment | Systems | Solutions

Shackle Washer Model No. CSW-4



TECHNICAL SPECIFICATIONS

Power:	(2) 1/3 HP / .25 kw
Water:	1 in. hook-up
Width:	48 in. / 1219 mm
Length:	82.5 in. / 2096 mm
Height:	60 in. / 1524 mm

The specifications as stated herein are the most current at the time of publication. However, consistent with our standard of continual product improvement, we reserve the right to change the design without notice or obligation to modify any equipment previously sold or delivered.