

ADJUSTABLE INSPECTORS STAND

Model No. AIS-1



The Cantrell U.S.D.A. approved Adjustable inspection stand is constructed entirely of heavy-duty stainless steel with a fiber grate platform. Up/down adjustment is made simple with the use of a machine screw actuator and a spring-activated switch. The Inspectors Stand is available with operator seat, backrest and footrest and is available in air, electric or hydraulic.

Cantrell Machine Co., Inc.

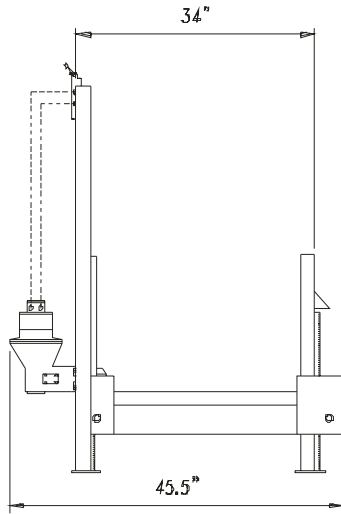
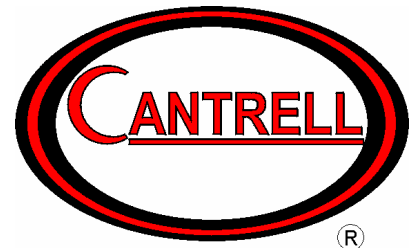
P O Box 757
1400 S. Bradford Street
Gainesville, Ga. 30503

Phone: 770-536-3611
Fax: 770-531-0832
www.cantrell.com

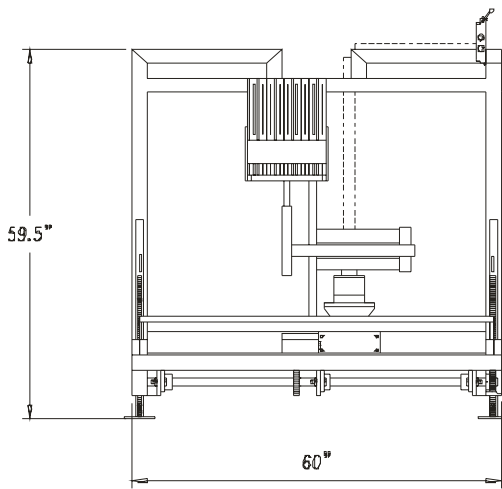
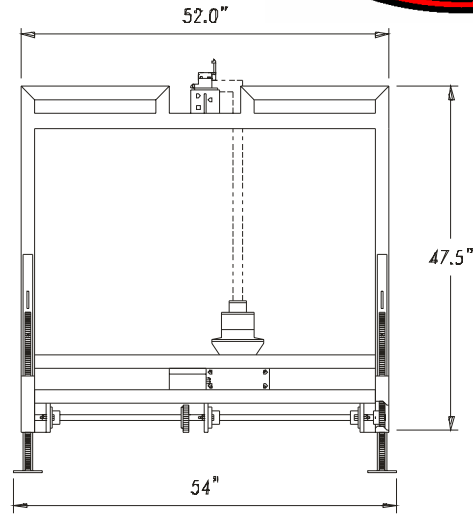


ADJUSTABLE INSPECTORS STAND

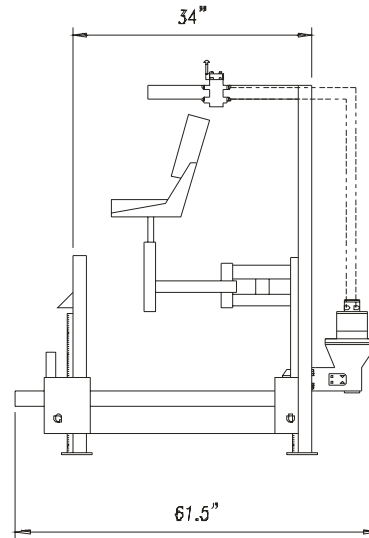
Model No. AIS-1



STANDARD



MAESTRO



TECHNICAL SPECIFICATIONS

MODEL	STANDARD	MAESTRO
POSITION IN LINE:	AFTER AUTOMATIC EVISCERATORS	
INSTALLED POWER:	AIR SUPPLIED, ELECTRIC OR HYDRAULIC	
Height:	47.5 IN	59.5 IN
Width:	45.5 IN	61.5 IN
Length:	54 IN	60 IN

The specifications as stated herein are the most current at the time of publication. However, consistent with our standard of continual product improvement, we reserve the right to change the design without notice or obligation to modify any equipment previously sold or delivered.

Cantrell Machine Co., Inc.

P O Box 757 · 1400 S. Bradford Street · Gainesville, Ga. 30503 · 770-536-3611 · (Fax) 770-531-0832